

# eddy current sensor

type: WSD S2/10F



picture alike

**WSD S2/10F**

5101 9678

Apr-21

- \_ high measurement precision
- \_ integrated electronic
- \_ high measurement speed
- \_ contactless measuring
- \_ analog output (0...10V)

## application range

distance measurement against steel

e.g. slug detection, double-sheet detection, bdc-monitoring

## technical data

feature	
voltage supply	21.6 .. 26.4 V DC
max. current	app. 15 mA
measuring range	0.5...2mm
linearity	+/- 2,0%
housing	alu, black anodised
output	0...10V DC
repeatability	0.012mm
resolution	<0.002 mm
operating time	0.5 ms

### subject to change

TRsystems GmbH, system area  
 UNIDOR  
 Freiburger Straße 3  
 75179 Pforzheim  
 Tel. +49 (0) 7231 3152-0  
 unidor@trsystems.de  
[www.unidor.de](http://www.unidor.de)

# eddy current sensor

type: WSD S2/10F

**WSD S2/10F**

5101 9678

Apr-21

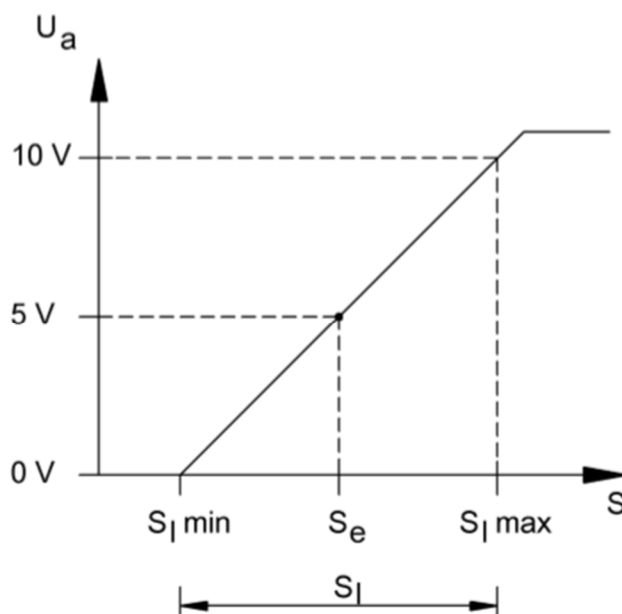
## ambient conditions

operating temperature range	-10 .. +60°C
enclosure rating	IP 67

## order data / types

type	description	order number
WSD S2/10F	eddy current sensor with cable 3m, open ends	51019678
plug M12	M12/4-pol. plug	62000627

## characteristic curve



### subject to change

TRsystems GmbH, system area  
 UNIDOR  
 Freiburger Straße 3  
 75179 Pforzheim  
 Tel. +49 (0) 7231 3152-0  
 unidor@trsystems.de  
[www.unidor.de](http://www.unidor.de)

# eddy current sensor

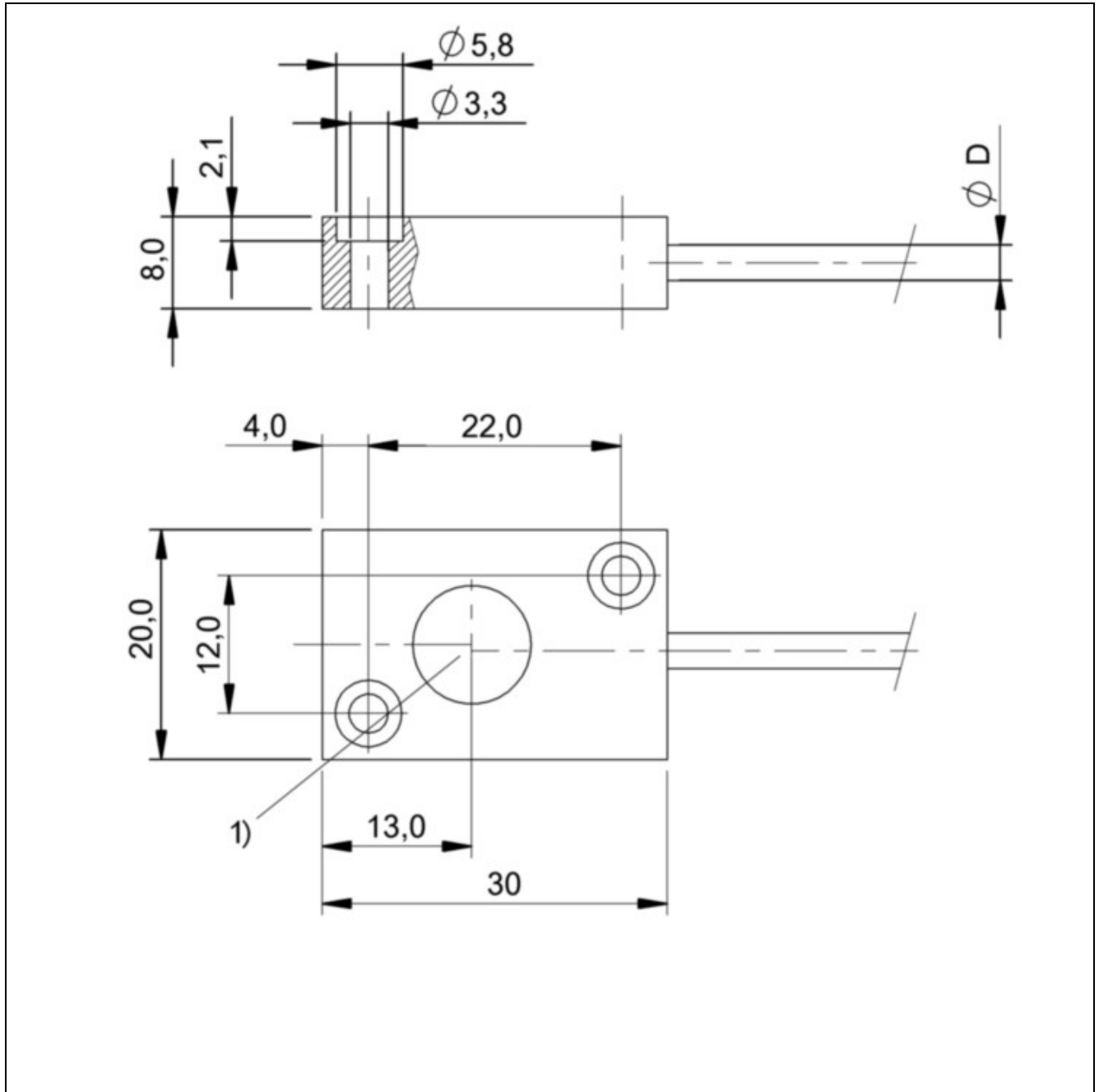
type: WSD S2/10F

## dimensions

WSD S2/10F

5101 9678

Apr-21



1) active area D) 3mm

subject to change

TRsystems GmbH, system area  
UNIDOR  
Freiburger Straße 3  
75179 Pforzheim  
Tel. +49 (0) 7231 3152-0  
unidor@trsystems.de  
[www.unidor.de](http://www.unidor.de)

# eddy current sensor

type: WSD S2/10F

**WSD S2/10F**

5101 9678

Apr-21

## pin assignment

### M12, 4pin (6200 0627)

colour	Pin	operation
brown	1	UB
white	2	n.c.
blue	3	GND 0V
black	4	Signal

### M12, 4pin (6200 0627) Beckhoff

colour	Pin	operation
brown	1	UB
black	2	Signal
blue	3	GND 0V
blue	4	GND 0V

### subject to change

TRsystems GmbH, system area  
UNIDOR  
Freiburger Straße 3  
75179 Pforzheim  
Tel. +49 (0) 7231 3152-0  
unidor@trsystems.de  
[www.unidor.de](http://www.unidor.de)